

## Medium Wire Stapler

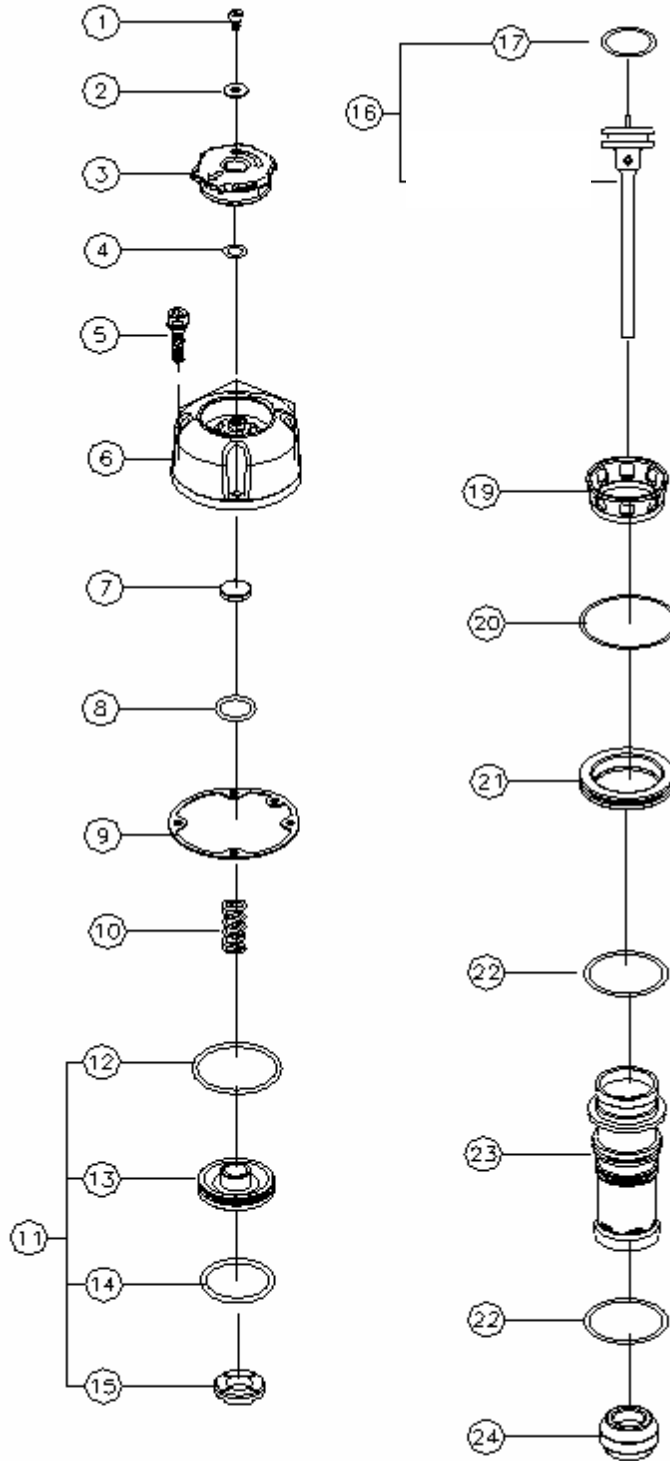
**Parts Reference Guide**  
**Guía de referencia**  
**de piezas**  
**Pièces Guide**  
**de référence**

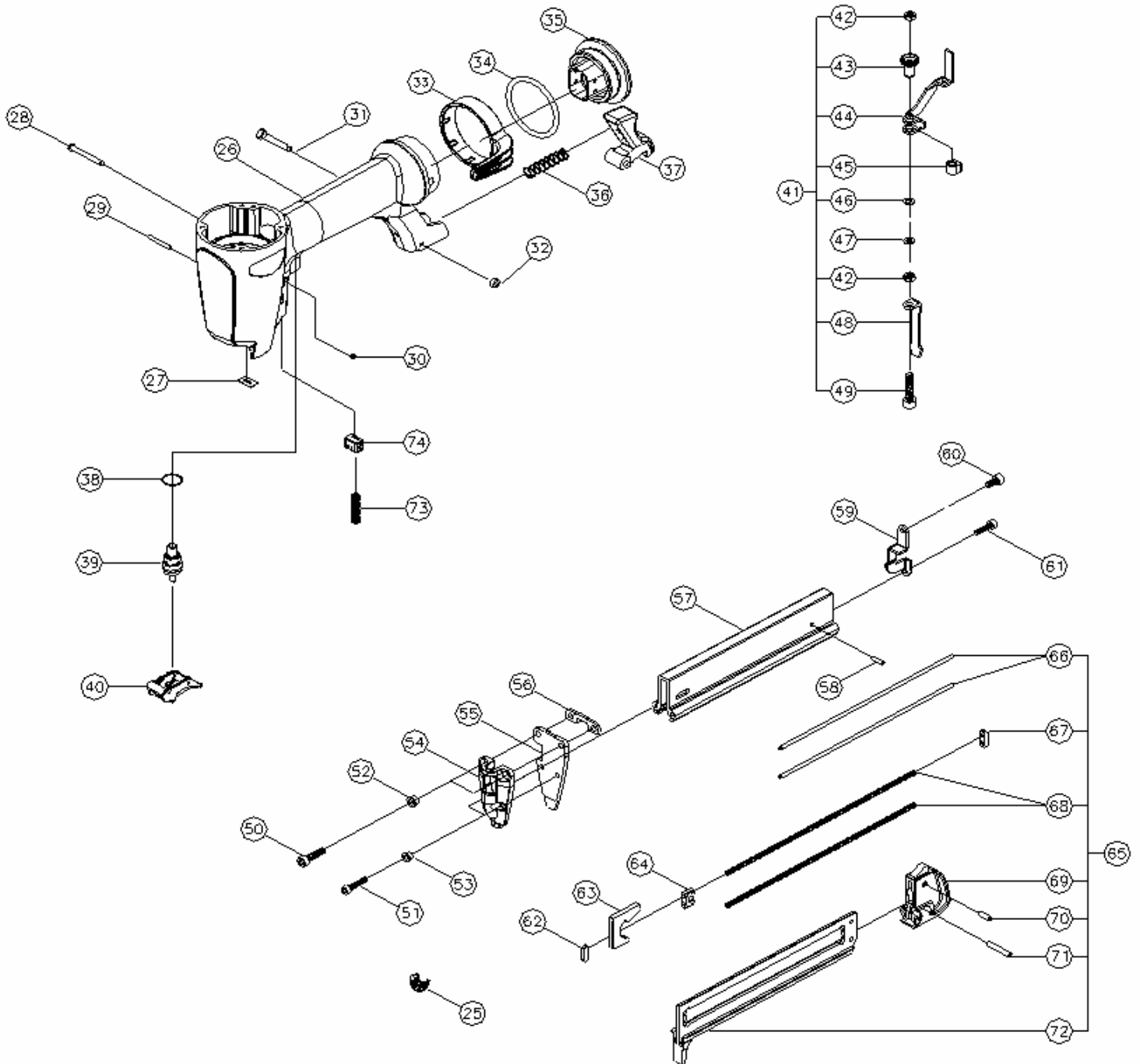


Schematic Drawings Inside  
Plano esquemático en el interior  
Schéma intérieur

**SENCO**®

Tool	Model
1VS2005N	S150MS





POS	PART NO	DESCRIPTION	DESCRIPCION	BESCHREIBUNG	DESIGNATION
1	A0000-1211	SCREW 4*8	TORNILLO 4*8	SCHRAUBE 4*8	VIS 4*8
2	A0005-0691	WASHER 12*1	ARANDELA 12*1	SCHLEIBE 12*1	RONDELLE 12*1
3	A0304-0651	EXHAUST COVER	CUBIERTA DE ESCAPE	AUSPUFFABDECKUNG	COUVERCLE D'ÉCHAPPEMENT
4	A0200-2471	O-RING 7.59*2.62	SELLO DE GOMAS 7.59*2.62	DICHTRING 7.59*2.62	JOINT 7.59*2.62
5	B0000-0031	SCREW	TORNILLO	SCHRAUBE	VIS
6	A0301-1721	CAP. TOP	TAPA, ARRIBA	KAPPE, OBEN	BOUCHON, À L'ÉCHAPPEMENT
7	A0311-0451	SEAL, AIR	SELLO, AIRE	DICHTUNG, LUFT	JOINT, AIR
8	A0200-0221	O-RING 15*2.5	SELLO DE GOMAS 15*2.5	DICHTRING 15*2.5	JOINT 15*2.5
9	A0205-0641	GASKET	ARANDELA	DICHTUNG	JOINT
10	A0100-0631	SPRING	RESORTE	FEDER	RESSORT
11	B0300-2221	FIRING VALVE PISTON SET	SET PISTON DE VAVULA	VENTILPISTONSATZ	LIASSE DE PISTON DE VALVE
12	A0200-0711	O-RING 33.5*2.5	SELLO DE GOMAS 33.5*2.5	DICHTRING 33.5*2.5	JOINT 33.5*2.5
13	A0308-0341	FIRING VALVE PISTON "POM"	PISTON DE VAVULA "TPE"	VENTILPISTON "TPE"	LIASSE DE PISTON "TPE"
14	A0200-0601	O-RING 26.59*2.95	SELLO DE GOMAS 26.59*2.95	DICHTRING 26.59*2.95	JOINT 26.59*2.95
15	A0313-0041	PISTON STOPPER "TPU"	TOPE DE PISTON "TPE"	PISTONPUFFER "TPE"	ARRÊT DE PISTON "TPE"
16	B0600-6401	PISTON UNIT	UNIDA PISTON	PISTONEINHEIT	PIECE DE PISTON
17	A0200-1281	O-RING 22.4*3.3	SELLO DE GOMAS 22.4*3.3	DICHTRING 22.4*3.3	JOINT 22.4*3.3
19	A0305-0081	SLEEVE RETAINER "POM"	RETEN "POM"	SICHERUNGSRICH "POM"	TERENUE "POM"
20	A0200-0271	O-RING 44.8*2.6	SELLO DE GOMAS 44.8*2.6	DICHTRING 44.8*2.6	JOINT 44.8*2.6
21	A0800-0391	SPACER	SEPARADOR	DISTANZSTÜCK	ENTRETOISE
22	A0200-0071	O-RING 31*2.5	SELLO DE GOMAS 31*2.5	DICHTRING 31*2.5	JOINT 31*2.5
23	A0303-0941	SLEEVE, CYLINDER	MANGA CILINDRO	ZYLINDERHÜLSE	CHEMISE CYLINDRE
24	A0309-0741	BUMPER	AMORTIGUADOR	PUFFER	AMORTISSEUR
25	A0204-0311	GRIP	BUJE	HANDGRIFF	GAINE
26	B0400-0911	BODY SET	SET CUERPO	KORPERSATZ	LIASSE DE CORPS
27	A0310-0761	NOZZLE WASHER	ARANDELA TOBERA	DUESESCHLEIBE	RONDELLE BUSE
28	A0006-0501	STEP PIN	PASADOR	STIFT	GOUPILLE
29	A0011-0161	SPRING PIN 3*24	PASADOR RESORTE 3*24	FEDER STIFT 3*24	RESSORT GOUPILLE 3*24
30	A0005-0311	PIN RETAINER 5.5*2	PASADOR TORICA	STIFTSICHERUNG	GOUPILLE RETENUE
31	A0006-0411	PIN	PASADOR	STIFT	GOUPILLE
32	A0005-0291	PIN RETAINER 6*2.9	PASADOR TORICA	STIFTSICHERUNG	GOUPILLE RETENUE
33	A0316-0331	BELT HOOK	GANCHO DE CINTURON	GURTHAKEN	CROCHET DE CEINTURE
34	A0200-2851	O-RING 38*3.5	SELLO DE GOMAS 38*3.5	DICHTRING 38*3.5	JOINT 38*3.5
35	A0306-1251	TAIL COVER	CUBIERTA DE COLA	RÜCKSEITEABDECKUNG	COUVERCLE DE QUEUE
36	A0101-0191	SPRING	RESORTE	FEDER	RESSORT
37	A0709-0301	CLICK LEVER	PALANCA CLICK	CLICK HEBEL	LEVIER CLICK
38	A0200-1091	O-RING 11*1.05	SELLO DE GOMAS 11*1.05	DICHTRING 11*1.05	JOINT 11*1.05
39	B0500-1381	TRIGGER VALVE SET	SET GATILLO VALVULA	AUSLÖSERSATZVENTIL	LIASSE GACHETTE DE VALVE
40	B0500-1481	TRIGGER SET	SET GATILLO	AUSLÖSERSATZ	LIASSE GACHETTE
41	B0700-2711	RELEASE CATCH	GUIA	FUHRUNG	GUIDE
42	A0004-0011	NYLON NUT M4	NYLON TUERCA M4	NYLON MUTTER M4	ECROU NYLON M4
43	A0004-0212	SAFETY ADJUSTMENT WHEEL	RUEDA DE ADJUSTE	EINREGELRAD	MOLETTE DE REGLAGE
44	A0711-1061	RELEASE CATCH (B)	GUIA (B)	FUHRUNG (B)	GUIDE (B)
45	A0710-0391	SPACER	SEPARADOR	DISTANZSTÜCK	ENTRETOISE
46	A0005-0061	E-RING φ5	E-RING φ5	E-RING φ5	E-RING φ5
47	A0005-1251	WASHER #7*4*0.3t	ARANDELA #7*4*0.3t	SCHLEIBE #7*4*0.3t	RONDELLE #7*4*0.3t
48	A0711-1051	RELEASE CATCH (A)	GUIA (A)	FUHRUNG (A)	GUIDE (A)
49	A0000-0861	SCREW 4*30	TORNILLO 4*30	SCHRAUBE 4*30	VIS 4*30
50	A0000-0091	SCREW M5*20	TORNILLO M5*20	SCHRAUBE M5*20	VIS M5*20
51	A0000-0041	SCREW M4*20	TORNILLO M4*20	SCHRAUBE M4*20	VIS M4*20
52	A0710-0411	SPACER	SEPARADOR	DISTANZSTÜCK	ENTRETOISE
53	A0710-0401	SPACER	SEPARADOR	DISTANZSTÜCK	ENTRETOISE
54	A0712-0491	RELEASE CATCH COVER	CUBIERTA DE GUIA	FUHRUNGSABDECKUNG	COUVERCLE DE GUIDE
55	A0801-3461	DRIVER GUIDE	GUIA	FUHRUNG	GUIDE
56	A0800-1241	SPACER	SEPARADOR	DISTANZSTÜCK	ENTRETOISE
57	A0700-0982	UPPER MAG	CARGADOR	MAGZIN	MAGASIN
58	A0011-0131	SPRING PIN 3*10	PASADOR RESORTE 3*10	FEDER STIFT 3*10	RESSORT GOUPILLE 3*10
59	A0706-2221	SUPPORT	SOPORTE	TRAGER	SUPPORT
60	A0000-0181	SCREW M5*10	TORNILLO M5*10	SCHRAUBE M5*10	VIS M5*10
61	A0000-0521	NYLON SCREW M4*12	TORNILLO M4*12 NYLON	NYLON SCHRAUBE M4*12	VIS M4*12 NYLON
62	A0719-0211	FEEDER SHOE STOP	TOPE DE ALIMENTADOR	KLAMMERSCHIEBERPUFFER	ARRÊT DE POUSSOIR
63	A0707-0631	FEEDER SHOE	ALIMENTADOR	KLAMMERSCHIEBER	POUSSOIR
64	A0719-0391	SPRING HOLDER	SOPORTE RESORTE	FEDERHALTERUNG	CAVALIER RESSORT
65	B0700-2701	MAGAZINE SET	SET CARGADOR	MAGZINSATZ	LIASSE DE MAGASIN
66	A0708-0211	SPRING GUIDE	GUIA RESORTE	FEDERFUHRUNG	GUIDE RESSORT
67	A0719-0221	SPRING RETAINER	TORICA RESORTE	FEDERSICHERUNG	RETENUE RESSORT
68	A0100-0641	PUSHER SPRING	ALIMENTADOR RESORTE	FEDERVORSCHIEBER	POUSSOIR RESSORT
69	A0718-0191	TAIL COVER	CUBIERTA DE COLA	RÜCKSEITEABDECKUNG	COUVERCLE DE QUEUE
70	A0011-0051	OUTER SPRING PIN 4*10	PASADOR RESORTE 4*10	FEDER STIFT 4*10	RESSORT GOUPILLE 4*10
71	A0011-0291	SPRING PIN 4*24	PASADOR RESORTE 4*24	FEDER STIFT 4*24	RESSORT GOUPILLE 4*24
72	B0700-2601	NAIL TANK ASS'Y	ASS. DEPOSITO DE CLAVOS	NAGELBEHÄLTERTZUSAM.BAU	ASSEMBLE RÉSERVOIR DE CLOUS
73	A0100-3091	SPRING	RESORTE	FEDER	RESSORT
74	A0712-0341	SAFETY GUIDE PLATE	PLACA GUIA	FUHRUNGSPLATTE	PLAQUE DE GUIDE